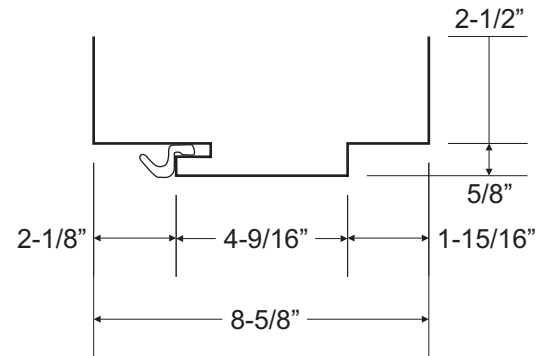
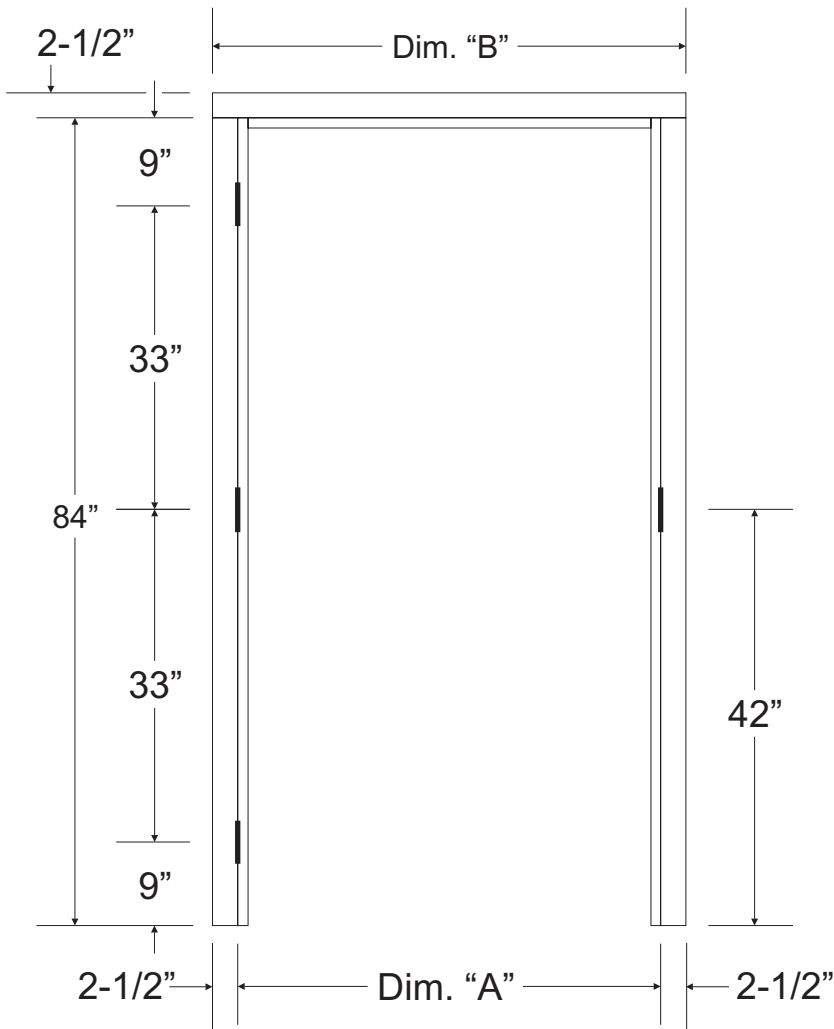




8-5/8" Depth Kerfed

8-1-99



(1) These components and associated fasteners are finished painted PC3 TRU WHITE or PC4 BRONZE

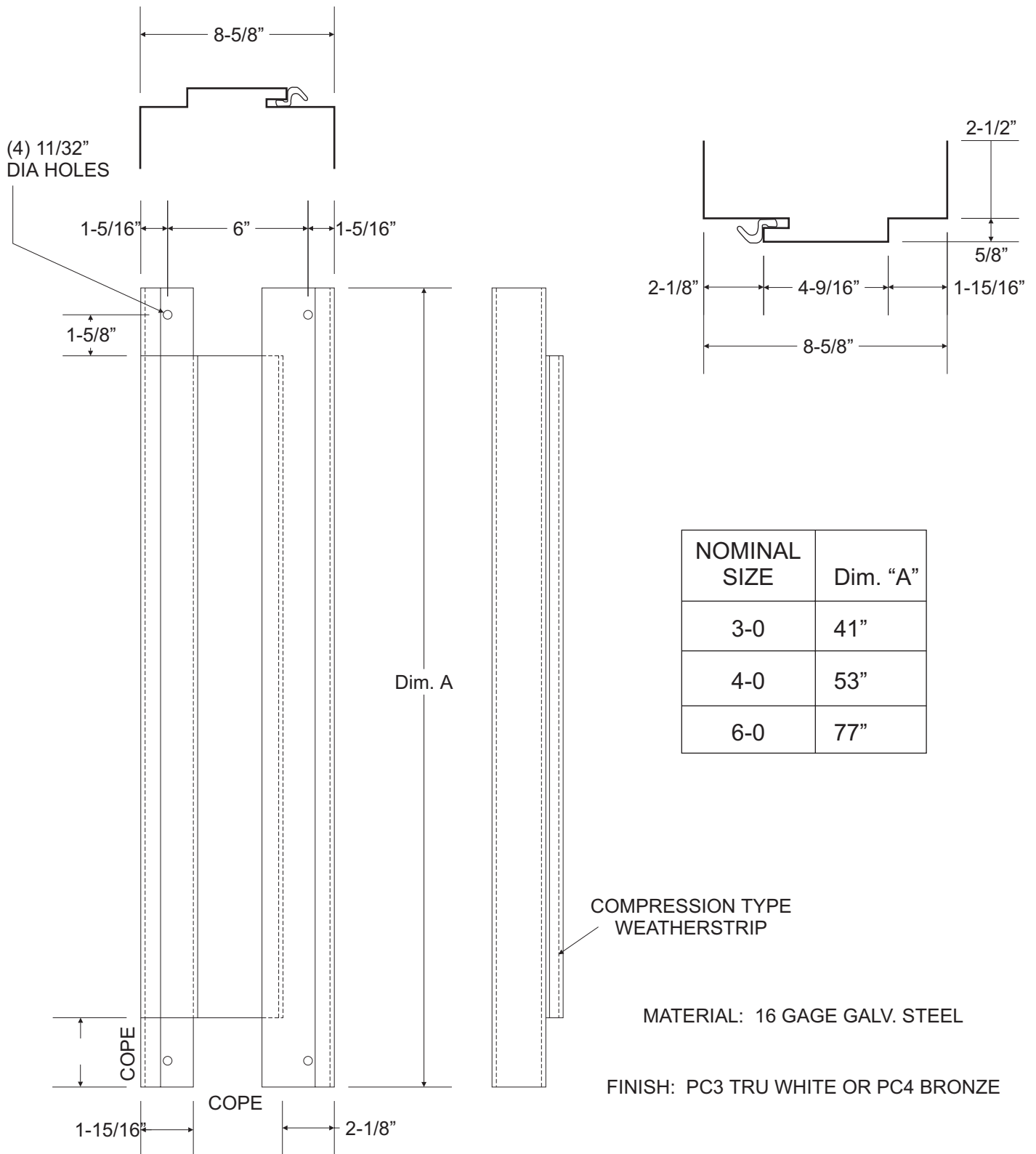
Each frame package is individually boxed in a corrugated carton.

DOOR FRAME PACKAGE	3070 door opg.	4070 door opg.	6070 door opg.
Dim. "A"	36"	48"	72"
Dim. "B"	41"	53"	77"



8-5/8" Depth Kerfed

8-1-99

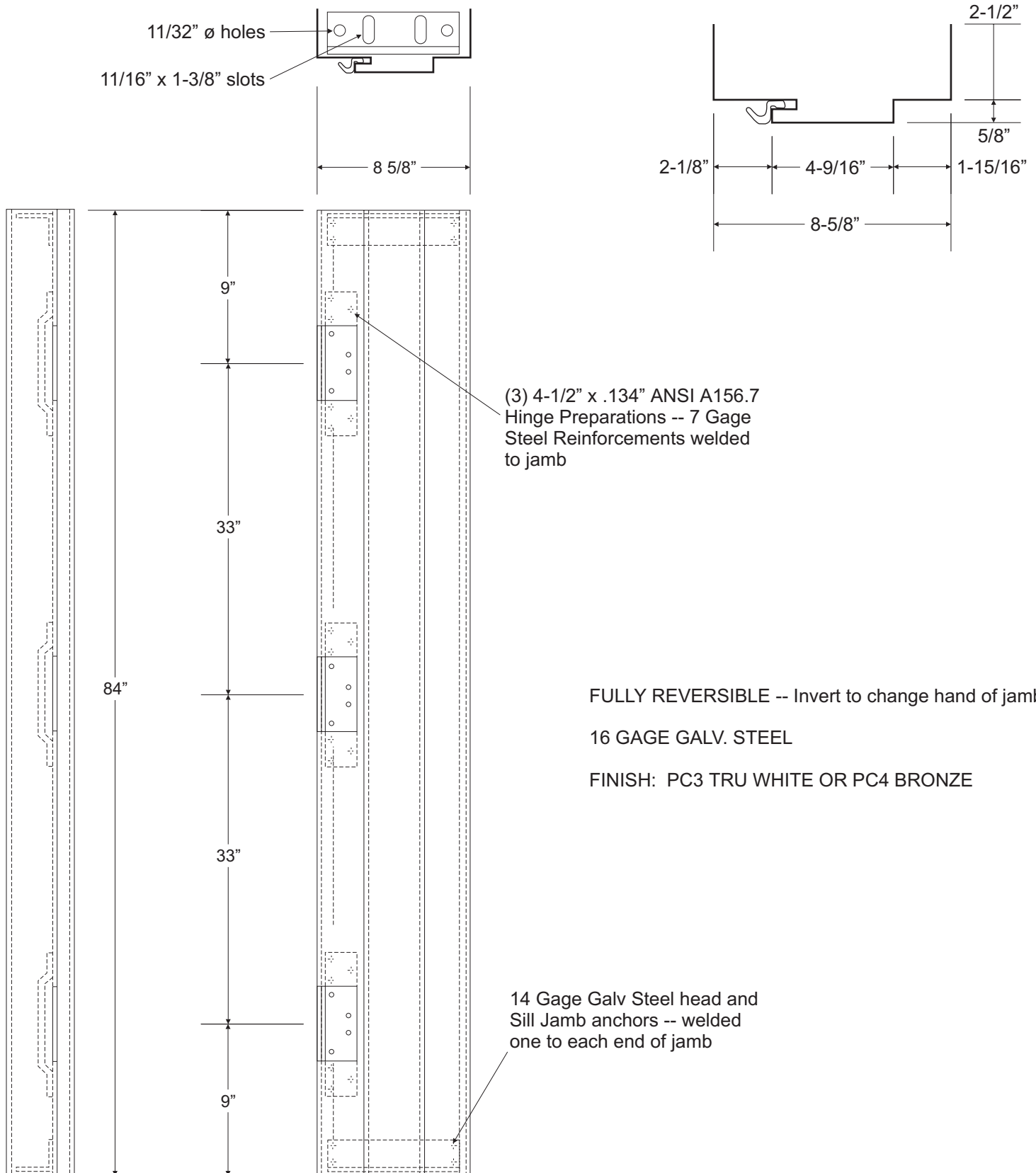


NOMINAL SIZE	Dim. "A"
3-0	41"
4-0	53"
6-0	77"



8-5/8" Depth Kerfed

8-1-99



FULLY REVERSIBLE -- Invert to change hand of jamb

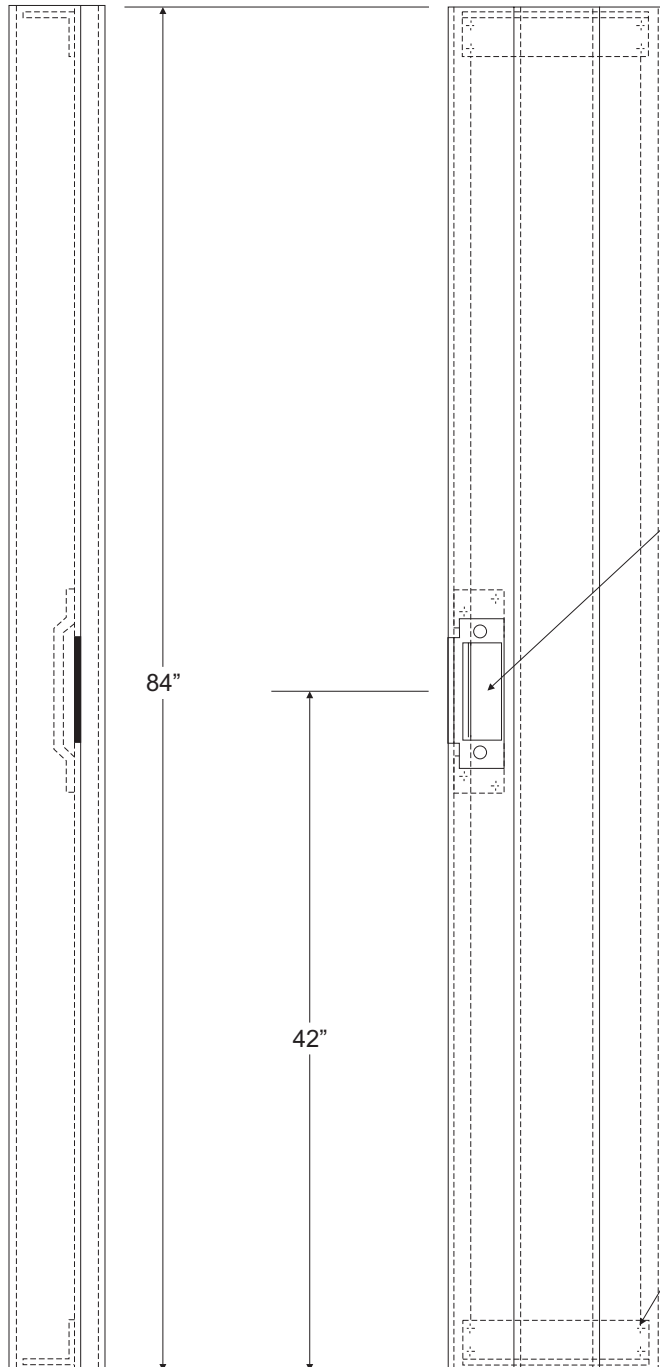
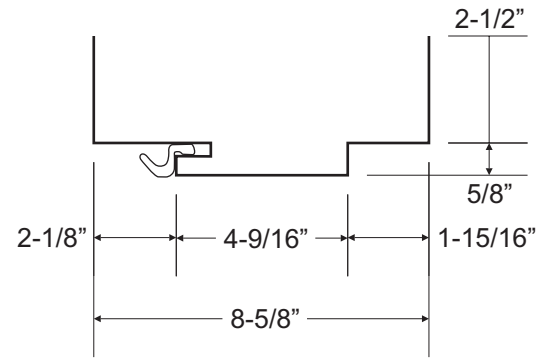
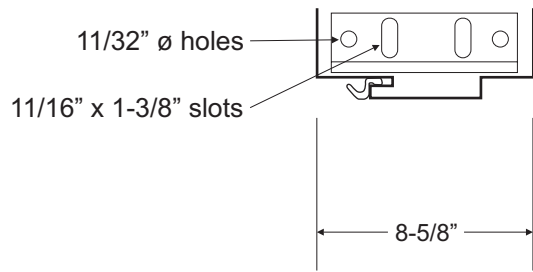
16 GAGE GALV. STEEL

FINISH: PC3 TRU WHITE OR PC4 BRONZE



8-5/8" Depth Kerfed

8-1-99



ANSI A115.1 & 2 (4-7/8") Universal Strike Preparation 12 Gage Steel Reinforcement Welded to Jamb.

FULLY REVERSIBLE -- Invert to change hand of jamb

16 GAGE GALV. STEEL

FINISH: PC3 TRU WHITE OR PC4 BRONZE

14 Gage Galv Steel head and Sill Jamb anchors -- welded one to each end of jamb



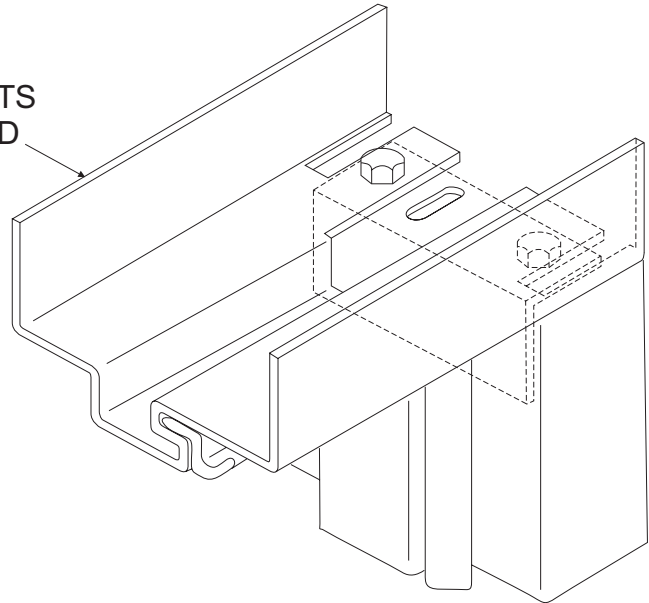
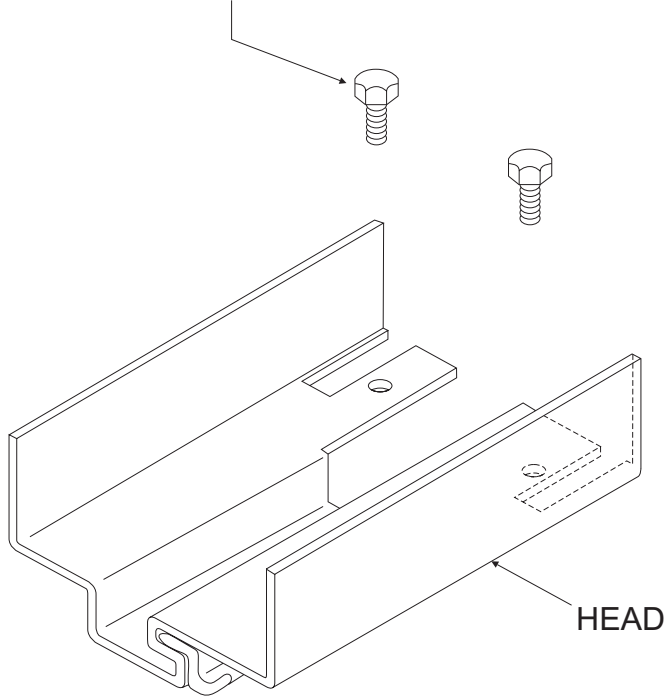
8-5/8" Depth Kerfed

8-1-99

* 4-2-289100 (pkg/4) Screws and Nuts

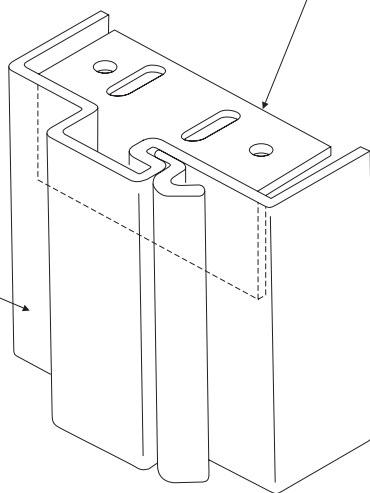
* 5/16"-18 HHMS

COMPONENTS
ASSEMBLED

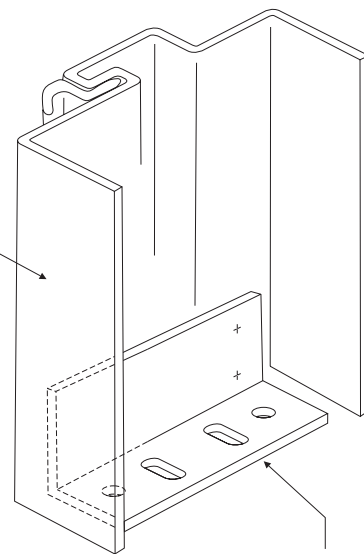


14 gage head anchor

JAMB
at head



JAMB
at sill



14 gage sill anchor

* 5/16"-18 Hex Nut

